

TAD540-542VE

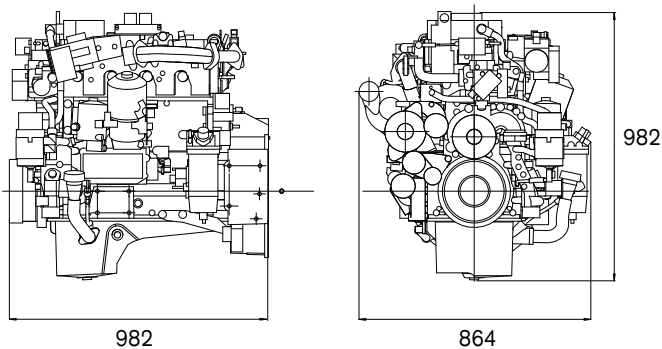
Technical data

Engine designation TAD540-542VE
 Configuration and no. of cylinders in-line 4
 Displacement, l (in³) 5.13 (313)
 Method of operation 4-stroke
 Direction of rotation (viewed towards flywheel) anti-clockwise
 Bore, mm (in.) 110 (4.33)
 Stroke, mm (in.) 135 (5.31)
 Compression ratio 17.5:1
 Dry weight, engine only, kg (lb) 556 (1226)

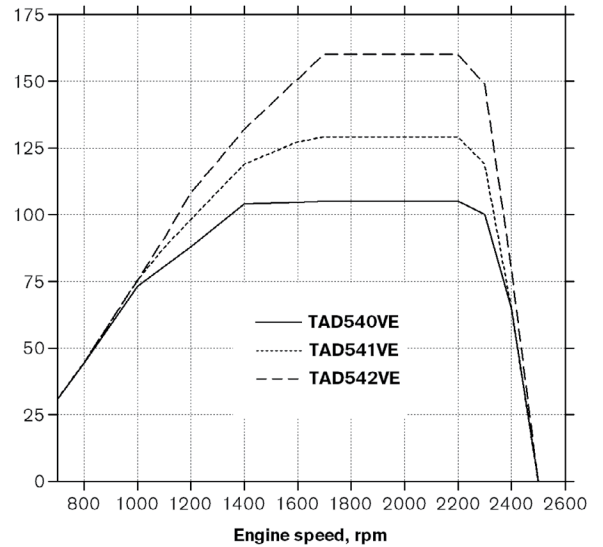
Engine	kW	Hp	rpm	Max Nm
TAD540VE	10•	13☒	•100	710
TAD541VE	12•	1☒	•☒00	810
TAD542VE	1☒	18☒	•100	910

Dimensions

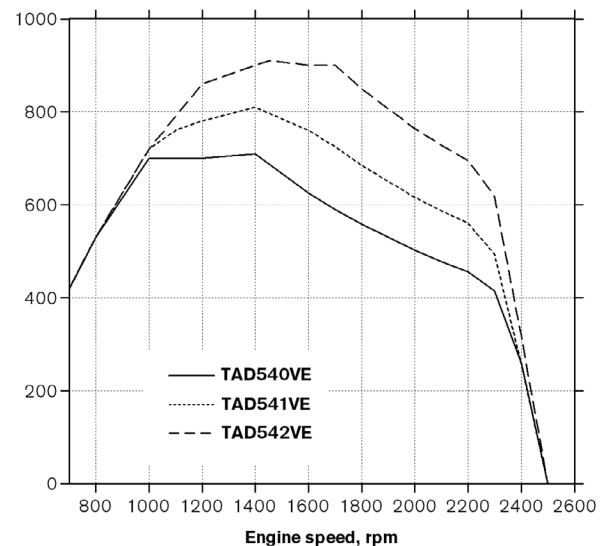
Not for installation. Dimensions in mm.



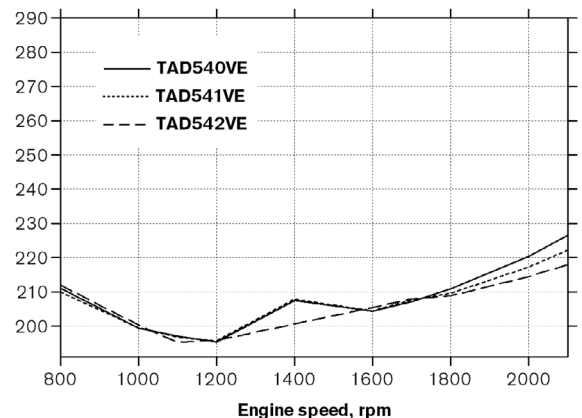
Power, kW



Torque, Nm



Fuel consumption, g/kWh



DieselGas

moree

02 6752 6880 | www.diesलगasmoree.com.au | #staytuned

Power standards

The engine performance corresponds to ISO 3046, BS 5514 and DIN 6271. The technical data applies to an engine with cooling fan and operating on a fuel with calorific value of 42.7 MJ/kg (18360 BTU/lb) and a density of 0.84 kg/litre (7.01 lb/US gal, 8.42 lb/Imp gal), also where this involves a deviation from the standards.

Additional information

For additional information, please contact DieselGas Moree www.diesलगasmoree.com.au or visit www.volvopenta.com.

Not all models, standard equipment and accessories are available in all countries. All specifications are subject to change without notice. The engine illustrated may not be entirely identical to production standard engines.

VOLVO PENTA

AB Volvo Penta

SE-405 08 Göteborg, Sweden
www.volvopenta.com