

# Automotive-Style



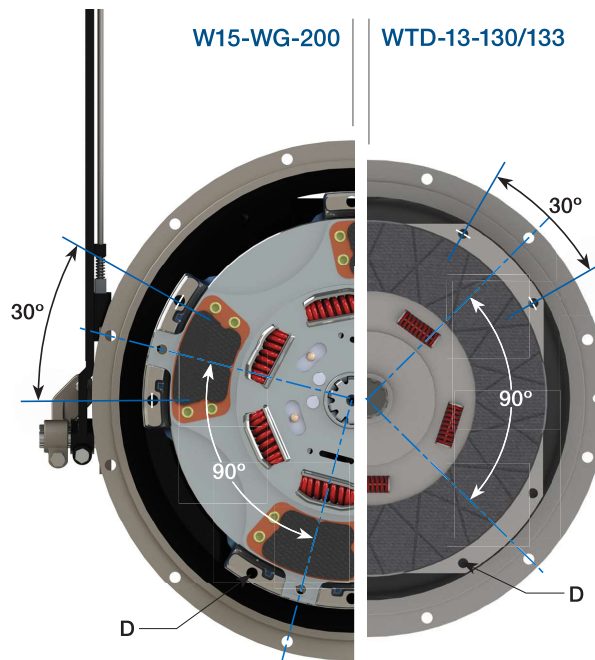
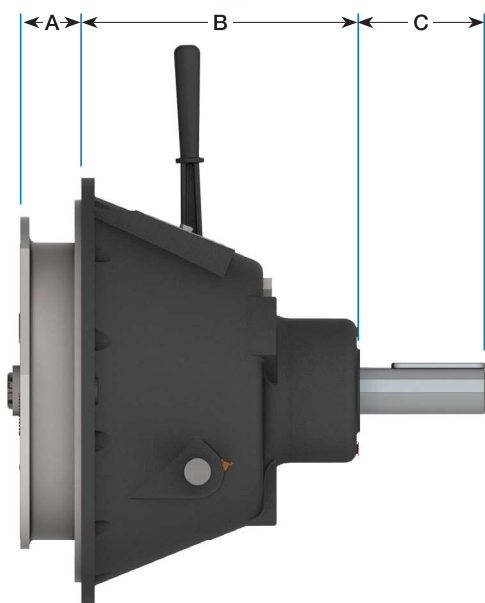
W15-WG-200



WTD-13-130/133

Loaded with features and virtually maintenance free, the automotive-style PTO is used with flat-faced flywheels in marine, industrial, construction, brush chipper and irrigation applications.

- The troublesome pilot bearing has been eliminated to reduce failures and downtime.
- Torsionally-dampened automotive-style spring-loaded clutch.
- Quick and easy external adjustments.
- The angular contact throwout bearing reduces heat buildup during long idle times.



Model	SAE Housings	A	B	Output Shaft			D Hole			Weight lb (kg)
				C	Dia	Keyway	Bolt Circle	Qty	Dia	
WTD-13-130	3	2.56 (65.1)	9 1/8 (231.8)	2 15/16 (74.6)	1.750 (44.45)	3/8 x 3/16	14.13 (358.8)	8	3/8 (9.5)	149 (68)
WTD-13-133				4 1/4 (108.0)						
W15-WG-200	1	2.53 (79.1)	13 3/16 (335.3)	4 1/4 (108.0)	2.500 (63.50)	5/8 x 5/16	16.63 (422.3)	8	1/2 (12)	190 (87)