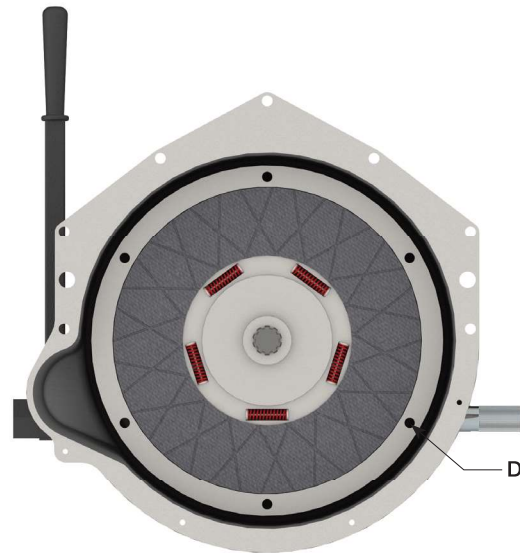
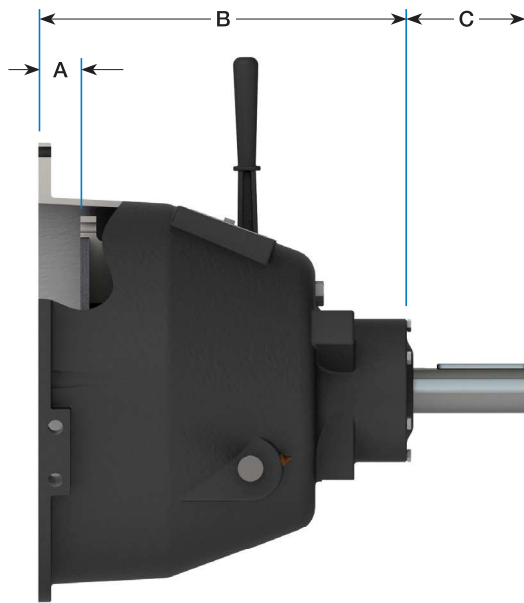




- GM®-style bellhousing mounts directly to 4.3, 5.7, 6.2, 7.4 & 8.1 liter engines.
- Solid ductile iron bellhousing is built for heavy-duty applications, keeping out weather and other contaminants.
- Heavy-duty adjustment ball screw with jam nut makes adjustments easy.
- Inline or sideload applications.
- Heavy-duty, precision components are made of steel and ductile iron.



GM® is a registered trademark of the General Motors Company

Model	A	B	Output Shaft			D Hole			Weight lb (kg)
			C	Dia	Keyway	Bolt Circle	Qty	Dia	
GM® Style	1.69 (42.9)	14 7/16 (366.7)	4 7/16 (112.7)	1.750 (44.45)	3/8 x 3/16	12.63 (320.7)	6	3/8 (9.5)	160 (73)
GM® Style HD	1.69 (42.9)	14 7/16 (366.7)	4 7/16 (112.7)	2.250 (57.15)	1/2 x 1/4	12.63 (320.7)	6	3/8 (9.5)	160 (73)