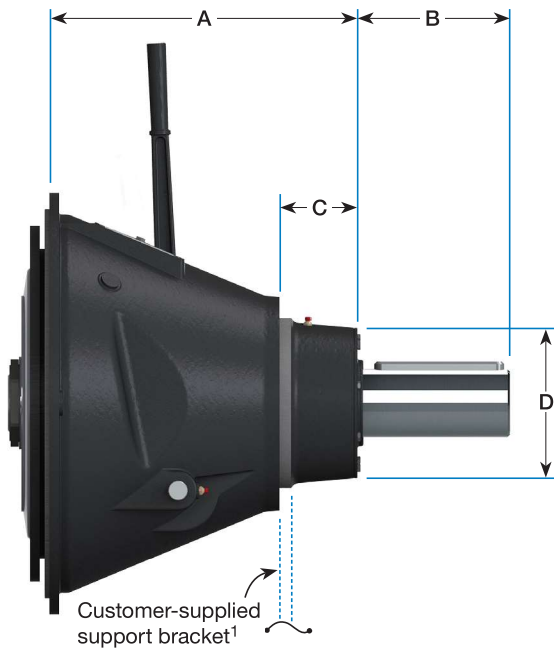


Pilotless™ Mechanical Power Take-Off



Industrial engine applications are more demanding than ever. Customers need a solution rugged enough to meet those demands and WPT Power has engineered that solution with the *WPT Pilotless™ Mechanical Power Take-Off*. This design eliminates the pilot bearing and increases side load capacity over previous generations of PTO products. The *WPT Pilotless™ Mechanical Power Take-Off* will optimize your cost by reducing inventory, increasing uptime and engine life, and simplify installation time.



- Dual spherical roller main bearing design.
- Time savings for assembly since no pilot bearing alignment required.
- Most sizes fit within envelope of previous design.
- No direct loading to engine crankshaft increases life of engine main bearings.
- No installation related engine thrust bearing damage.
- 100% equipped with ball-bearing engagement collars.
- Increased side load capacity.

Model	SAE Housings	A	Output Shaft			C	D	Weight lb (kg)	# of Teeth
			B	Dia	Keyway				
WPL 106	5, 4	8 7/16 (214.6)	2 1/8 (55.4)	1.438 (36.53)	3/8 x 3/16	2 7/16 (62.7)	4 7/16 (112.8)	72 (33)	42
WPL 107	5, 4	8 7/16 (214.6)	2 1/8 (55.4)	1.438 (36.53)	3/8 x 3/16	2 7/16 (62.7)	4 7/16 (112.8)	75 (134)	47
WPL 108	4	8 3/8 (213.4)	4 5/8 (118.4)	1.750 (44.45)	1/2 x 1/4	3 (76.7)	4 13/16 (122.9)	88 (40)	51
WPL 110	4, 3	9 3/4 (248.4)	3 15/16 (100.1)	2.250 (57.15)	5/8 x 5/16	3 1/2 (89.4)	5 3/4 (146.1)	125 (57)	63
WPL 111	3	11 7/16 (291.7)	4 1/16 (102.6)	2.250 (57.15)	5/8 x 5/16	11 1/8 (282.7)	5 3/4 (146.1)	162 (73)	72
WPL 211	3, 2	12 9/16 (320.0)	3 5/8 (92.5)	2.500 (63.50)	5/8 x 5/16	4 1/4 (108.0)	6 3/4 (171.5)	218 (99)	72
WPL 311 ¹	3, 2	15 3/4 (400.8)	8 (204.0)	3.500 (88.90)	7/8 x 7/16	3 11/16 (94.2)	7 3/4 (196.9)	343 (156)	72
WPL 114	1	13 5/8 (346.2)	5 1/8 (130.6)	3.000 (76.20)	3/4 x 3/8	3 3/4 (95.2)	6 3/4 (171.5)	275 (125)	59
WPL 214 ¹	1, 0	16 3/16 (411.5)	7 1/2 (191.8)	3.500 (88.90)	7/8 x 7/16	4 5/16 (110.2)	7 3/4 (196.9)	407 (185)	59
WPL 314 ¹	1, 0	17 1/16 (433.1)	7 1/2 (190.5)	3.938 (100.01)	1 x 1/2	3 7/8 (99.6)	8 1/4 (209.6)	470 (213)	59

¹ Support plate for 311, 214, 314 is required for sideload applications and recommended for inline applications.