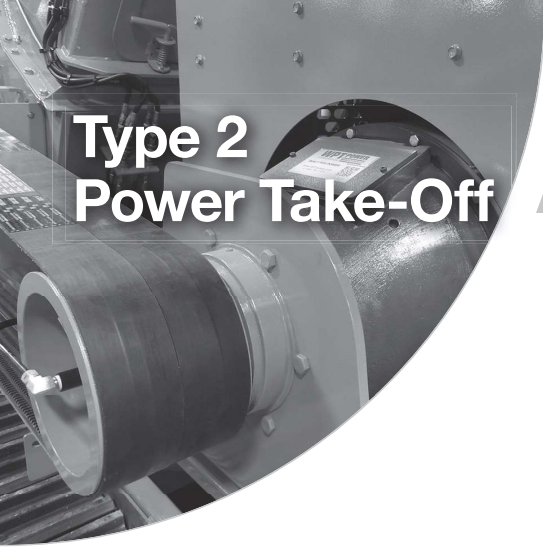


# Type 2 Power Take-Off

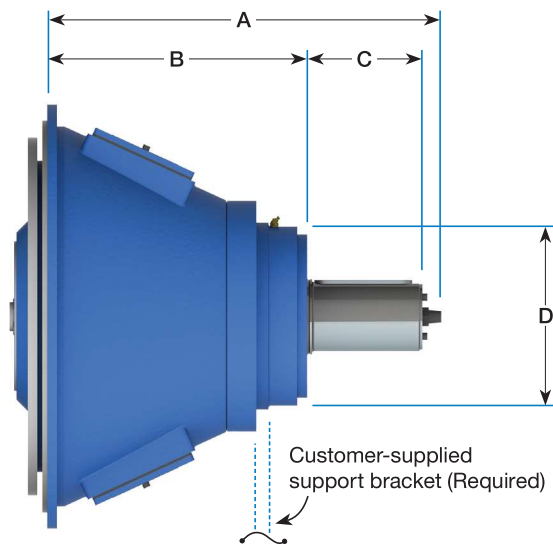


If you are looking for an innovative, high capacity power take-off, look no further than the WPT® Type 2.

With its versatile design, dry clutch and top-of-the-line spherical roller bearings, the Type 2 PTO has been field-proven in many sideload applications.

The benefits of the WPT Type 2 include the potential for remote engagement, self-adjusting clutch, with air or hydraulic actuation. Heavy-duty gear tooth friction discs are standard on 14" and 18" models. Bearings are lubricated with either grease or oil.

Customers needing maximum capacity in a small package will find the Type 2 an outstanding PTO for their applications.



Model	SAE Housings	A	B	Output Shaft			D
				C	Dia	Keyway	
211/311	3, 2	17 5/16 (439.6)	11 3/16 (284.2)	3 3/8 (85.7)	2.750 (69.85)	5/8 x 5/16	7 3/16 (182.6)
214/314H	1, 0	31 9/16 (801.7)	21 1/16 (535.0)	7 1/4 (184.2)	3.625 (92.08)	7/8 x 7/16	8 1/2 (215.9)
214 Compact	2, 1	20 7/16 (518.6)	20 7/16 (518.6)	5 1/2 (140.0)	2.756 (70.00)	20 mm x 6 mm	9 (228.6)
314H Compact	2, 1			5 11/16 (144.0)	3.542 (90.00)	25 mm x 10.7 mm	9 (228.6)
218	0	31 7/8 (810.3)	20 15/16 (531.5)	7 1/4 (184.2)	3.625 (92.08)	7/8 x 7/16	8 1/2 (215.9)
318	0	33 7/16 (849.3)	22 7/16 (569.2)	7 1/4 (184.2)	3.625 (92.08)	7/8 x 7/16	8 1/2 (215.9)

Flange output shafts available. Contact WPT Applications Engineering for assistance.